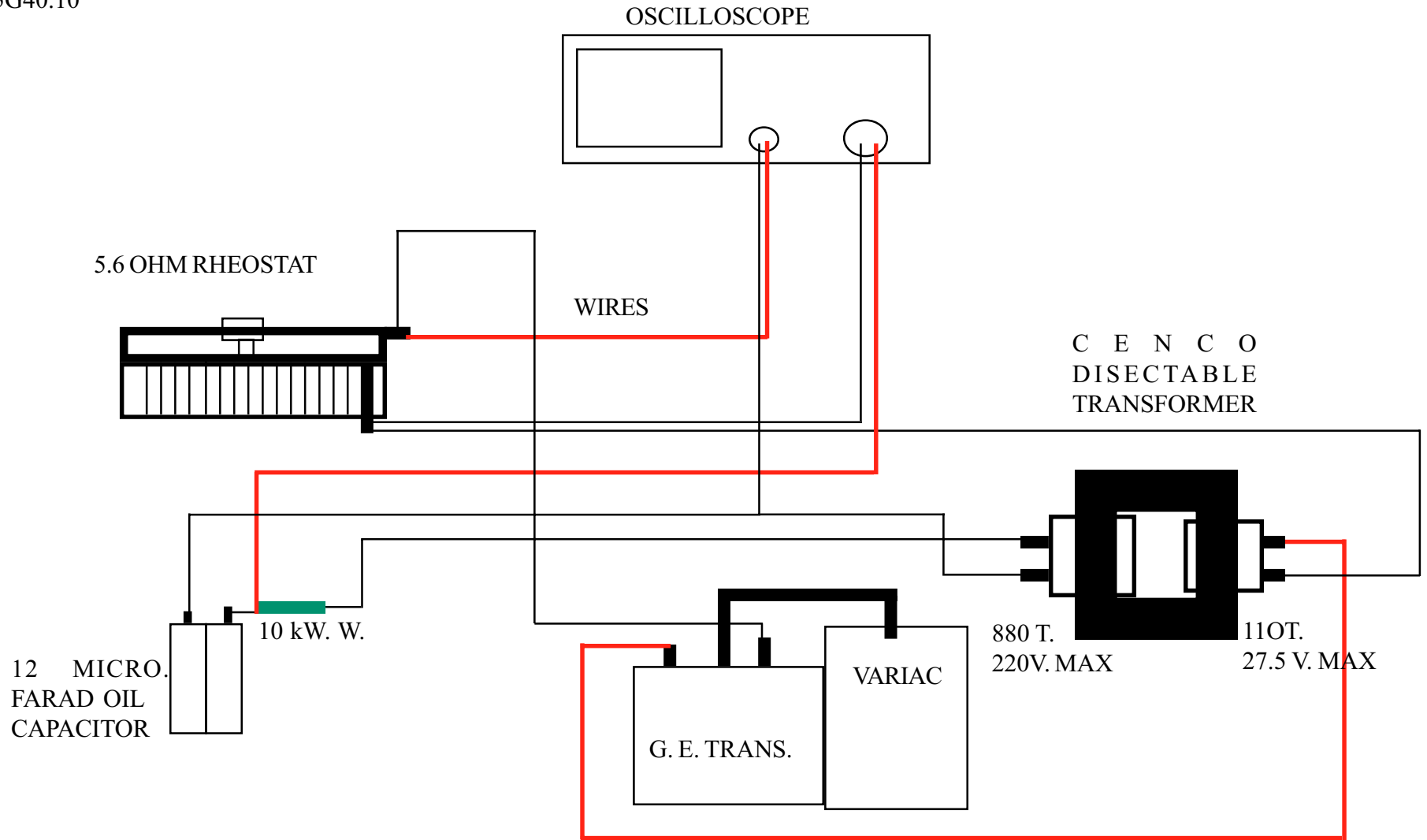


HYSTERESIS LOOP (ON SCOPE)  
5G40.10



USE G. E. ISOLATION TRANSFORMER #9T56Y2815  
(SET TAPS FOR 240-240 V)

HORIZONTAL INPUT: MAGNETIZING CURRENT  
(VOLTAGE ACROSS 3 OHM IN SERIES WITH PRIMARY COIL)

USE 5.6 OHM VARIABLE RHEOSTAT SET FOR ~3 OHMS

VERTICAL INPUT: MAGNETIC FLUX DENSITY  
(VOLTAGE ACROSS INTEGRATING CAPACITOR IN SERIES  
WITH 10 OHM AND SECONDARY COIL)

SEE LEYBOLD PHYSICS LEAFLET # 538.23b